

Max Frame	DP Rating	Impact
60" x 72"	+50/-65	YES

Installed Fastener Schedule:

1. Seal flange/frame to substrate.
2. All windows- install corrosion resistant #8 fasteners no more than 4" from each corner and 8" o.c. through the nail fins on all sides of the window. Fasteners must be long enough to penetrate at least 1 1/2" into framing members.
3. Host structure (wood buck, stud framing and opening) to be designed and anchored to properly transfer all loads to the structure. The host structure is the responsibility of the architect or engineer of record for the project of installation.

General Notes:

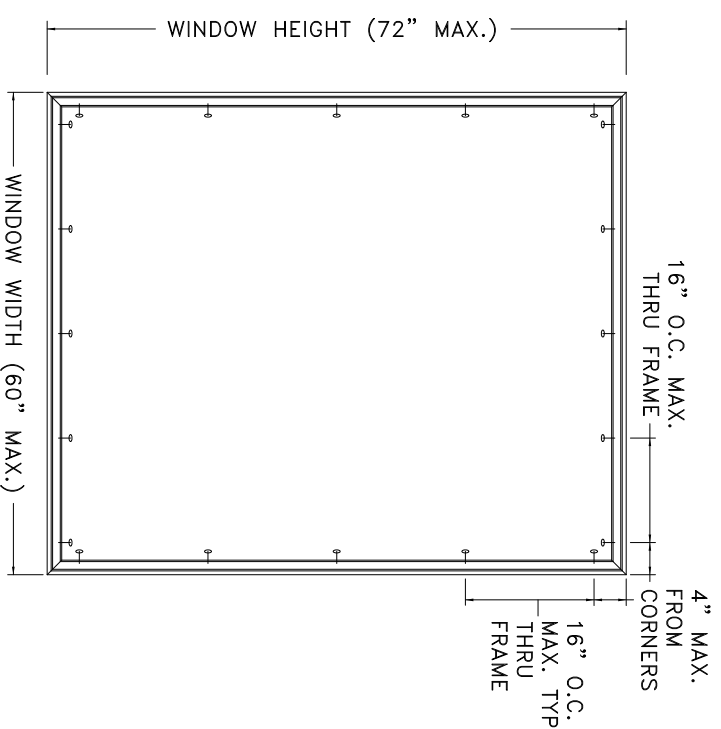
1. The product shown herein is designed, tested and manufactured to comply with the wind load criteria of the adopted International Building Code (IBC), the International Residential Code (IRC), the Florida Building Code (FBC) and the industry standard requirement for the stated conditions.
2. Buck, framing and masonry by others and its responsibility of architect or engineer of record.
3. All glazing shall conform to ASTM E1300.
4. At minimum, glazing shall be 5.7mm annealed - 10.1mm airspace - 3.0mm annealed - 2.3mm PVB Interlayer by DuPont - 3.0mm annealed insulating glass.

This schedule addresses only the fasteners required to anchor the window to achieve the rated design pressure up to the size limitations noted. It is not intended as a guide to the installation process and does not address the sealing consideration that may arise in different wall conditions. For the complete installation procedure, see the instructions packaged with the door or go to www.jeld-wen.com.

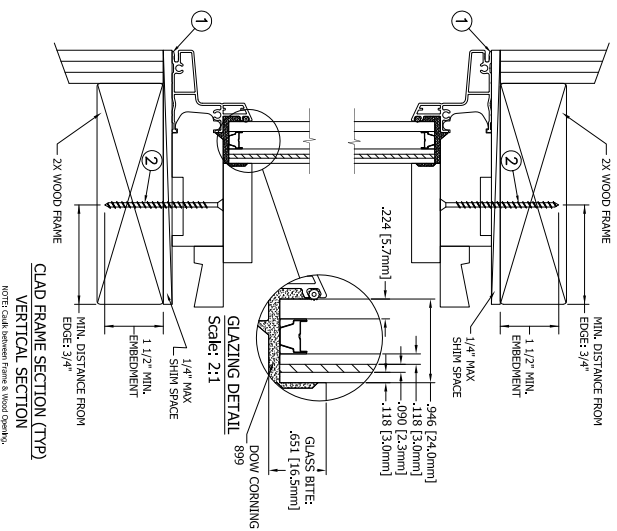
DISCLAIMER:

This drawing and its contents are confidential and are not to be reproduced or copied in whole or in part or used or disclosed to others except as authorized by JELD-WEN Inc.

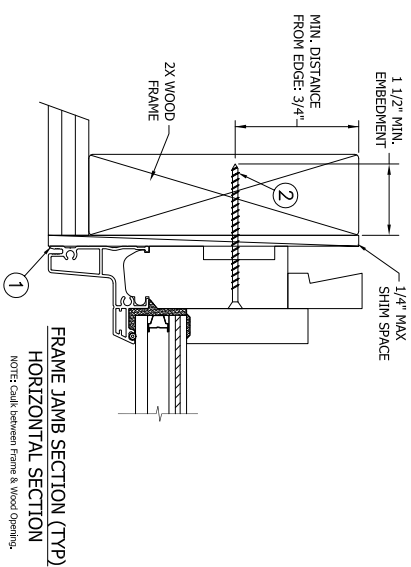
PROJECT ENGINEER: ---	DATE: 10/6/2016	JELD-WEN 3737 Lakeport Blvd Klamath Falls, OR, 97601 Phone: (800) 535-3936
DRAWN BY: J.HAWKINS	SCALE: NTS	
CHECKED BY: K.CAMPBELL	TITLE: Siteline Clad Direct Set Impact Window	
APPROVED BY: D.STOKES		
PART/PROJECT No.: D013273	PLANT NAME AND LOCATION: Hawkins-WI	
IDENTIFIER No.	CAD DWG. No.:	REV:
		SHEET



TYPICAL ELEVATION WITH FASTENER SPACING



**CLAD FRAME SECTION (TYP)
VERTICAL SECTION**
NOTE: Call Between Frame & Wood Opening.



**FRAME JAMB SECTION (TYP)
HORIZONTAL SECTION**
NOTE: Call Between Frame & Wood Opening.

**THROUGH FRAME
INSTALLATION**

Max Frame	DP Rating	Impact
60" x 72"	+50/-65	YES

Installed Fastener Schedule:

1. Seal flange/frame to substrate.
2. All windows- install corrosion resistant #8 fasteners no more than 4" from each corner and 16" o.c. through the frame on all sides of the window. Fasteners must be long enough to penetrate at least 1 1/2" into framing members.
3. Host structure (wood buck, stud framing and opening) to be designed and anchored to properly transfer all loads to the structure. The host structure is the responsibility of the architect or engineer of record for the project of installation.

General Notes:

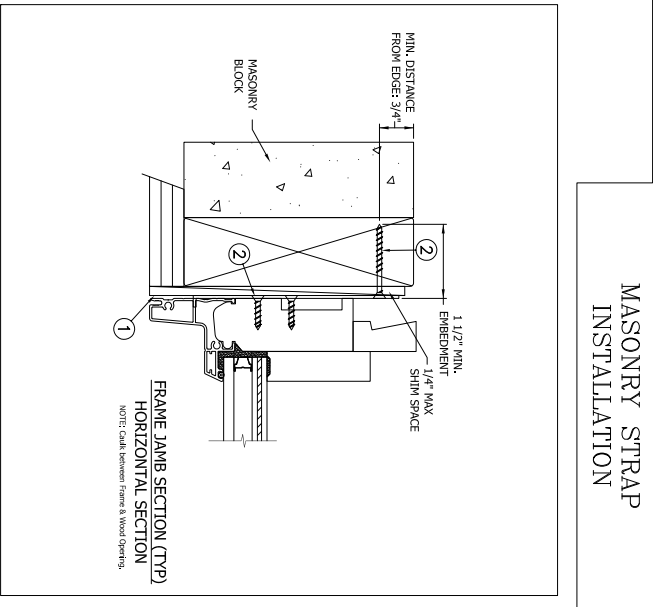
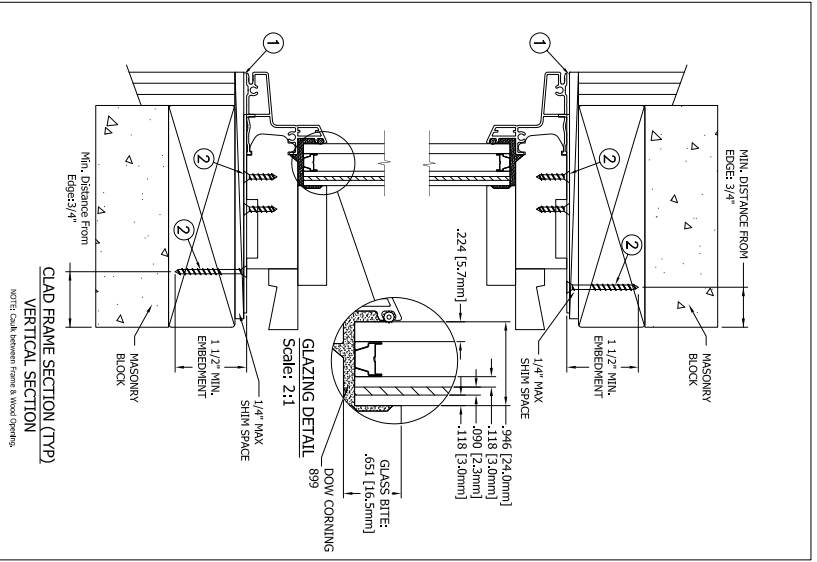
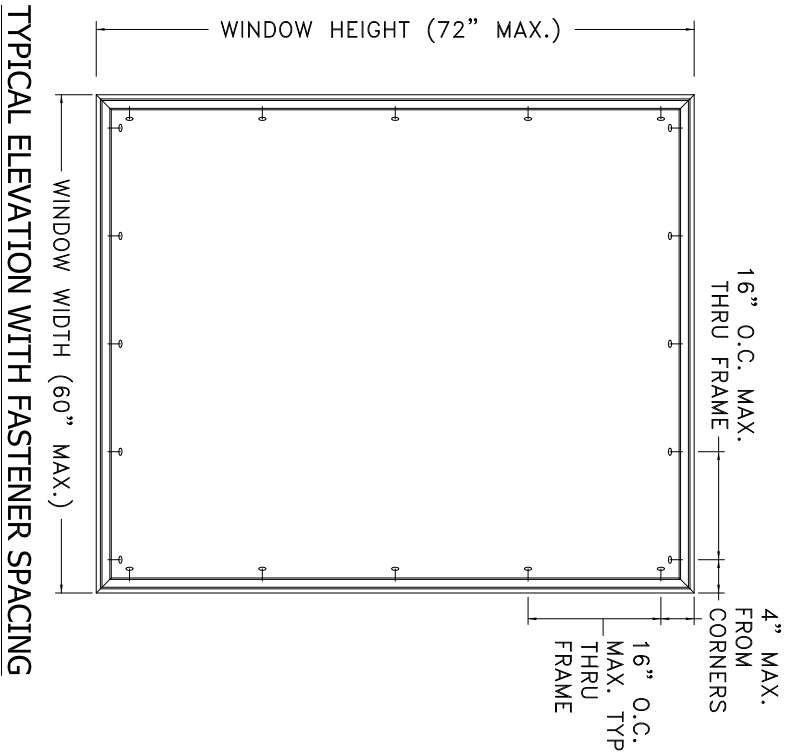
1. The product shown herein is designed, tested and manufactured to comply with the wind load criteria of the adopted International Building Code (IBC), the International Residential Code (IRC), the Florida Building Code (FBC) and the industry standard requirement for the stated conditions.
2. Buck, framing and masonry by others and is responsibility of architect or engineer of record.
3. All glazing shall conform to ASTM E1300.
4. At minimum, glazing shall be 5.7mm annealed - 10.1mm airspace - 3.0mm annealed - 2.3mm PVB Interlayer by DuPont - 3.0mm annealed insulating glass.

This schedule addresses only the fasteners required to anchor the window to achieve the rated design pressure up to the size limitations noted. It is not intended as a guide to the installation process and does not address the sealing consideration that may arise in different wall conditions. For the complete installation procedure, see the instructions packaged with the door or go to www.jeld-wen.com.

DISCLAIMER:

This drawing and its contents are confidential and are not to be reproduced or copied in whole or in part or used or disclosed to others except as authorized by JELD-WEN Inc.

PROJECT ENGINEER: ---	DATE: 10/6/2016		3737 Lakeport Blvd Klamath Falls, OR, 97601 Phone: (800) 535-3936
DRAWN BY: J.HAWKINS	SCALE: NTS		Siteline Clad Direct Set Impact Window
CHECKED BY: K.CAMPBELL	TITLE:		
APPROVED BY: D.STOKES	PART/PROJECT No.:	PLANT NAME AND LOCATION:	CAD DWG. No.:
IDENTIFIER No.:	D013273	Hawkins-WI	REV:
			SHEET



Max Frame	DP Rating	Impact
60" x 72"	+50/-65	YES

- Installed Fastener Schedule:**
1. Seal flange/frame to substrate.
 2. Install masonry straps to wood frame using #8 corrosion resistant fasteners no more than 4" from each corner and 16" o.c. along the frame. Bend straps around buck and secure with #6 fastener thru masonry strap into buck. Fasteners must be long enough to penetrate at least 1" into framing members.
 3. Host structure (wood buck, stud framing and opening) to be designed and anchored to properly transfer all loads to the structure. The host structure is the responsibility of the architect or engineer of record for the project of installation.

- General Notes:**
1. The product shown herein is designed, tested and manufactured to comply with the wind load criteria of the adopted International Building Code (IBC), the International Residential Code (IRC), the Florida Building Code (FBC), and the industry standard requirement for the stated conditions.
 2. Buck, framing and masonry by others and its responsibility of architect or engineer of record.
 3. All glazing shall conform to ASTM E1300.
 4. At minimum, glazing shall be 5.7mm annealed - 10.1mm airspace - 3.0mm annealed - 2.3mm PVB interlayer by DuPont - 3.0mm annealed insulating glass.

This schedule addresses only the fasteners required to anchor the window to achieve the rated design pressure up to the size limitations noted. It is not intended as a guide to the installation process and does not address the sealing consideration that may arise in different wall conditions. For the complete installation procedure, see the instructions packaged with the door or go to www.jeld-wen.com.

DISCLAIMER:
This drawing and its contents are confidential and are not to be reproduced or copied in whole or in part or used or disclosed to others except as authorized by JELD-WEN Inc.

PROJECT ENGINEER: ---	DATE: 10/6/2016		3737 Lakeport Blvd Klamath Falls, OR, 97601 Phone: (800) 535-3936
DRAWN BY: J.HAWKINS	SCALE: NTS		Siteline Clad Direct Set Impact Window
CHECKED BY: K.CAMPBELL	TITLE: ---		
APPROVED BY: D.STOKES	PART/PROJECT No.:	PLANT NAME AND LOCATION:	CAD DWG. No.:
IDENTIFIER No.:	D013273	Hawkins-WI	REV:
			SHEET